

# Installation Instructions for Catalog Series 6534-110-N5 Electronic Strobe Signal Appliance

**EDWARDS**

## SAFETY INSTRUCTIONS

A qualified electrician familiar with local code requirements must install this product. Failure to follow the safety precautions in this instruction sheet could result in product or property damage, severe personal injury, or death.

### WARNINGS

This device will not operate without electrical power. As fires frequently cause power interruptions, discuss further safeguards with your local fire protection specialist.

To reduce the risk of shock, do not connect AC or battery power to the fire alarm control panel until directed in these instructions.

To reduce the risk of shock, do not tamper with unit when circuit is energized. Disconnect all power and allow 5 minutes for stored energy to dissipate before handling.

### CAUTION

Electrical supervision requires wire run to be broken at each device connection.

This unit is not serviceable or repairable. Should the unit fail to operate, contact the supplier for replacement.

## DESCRIPTION

Catalog Number 6534-110-N5 is an electronic strobe signaling appliance that complies with ADA regulations, Chapter 28 Part 36.

These appliances are intended for indoor/outdoor use in general signaling applications. For outdoor use, the strobe must be installed with an Edwards weatherproof back box.

## INSTALLATION

Refer to Chart 1 and Figure 1 for product specifications. Use

this information with applicable local codes to maximize device effectiveness.

**NOTE:** Refer to Chart 1 for installation restrictions.

1. Select any single gang 2" (51 mm) deep minimum electrical box. Install the electrical box using suitable hardware.

For Flush Mount: 1 gang Handy box, or Iberville 1104 style, or equivalent.

For Surface Mount: Edwards, Wiremold 1 gang box, or equivalent.

For Outdoor Mount (**Surface Only**): Edwards 897B-008 or 897C-008 red weatherproof box.

2. Bring signaling circuit field wiring into the electrical box.
3. (Figure 2) Position the mounting plate onto the electrical box. Secure the plate using two pan head slotted screws (supplied).
4. (Figure 3) Connect this unit to a signal circuit that outputs 120V AC 60 Hz for signal power. For additional wiring connection details, see the installation instructions for the signaling application.
5. When connections are complete, mount the unit onto the mounting plate. Fasten it using two countersunk Phillip head screws (supplied).
6. Apply power and activate the strobe unit to verify that it is operating properly.

## MAINTENANCE

### CAUTION

This unit is not serviceable or repairable. Should the unit fail to operate, contact the supplier for replacement.

Perform a visual inspection and an operational test twice a year or as directed by the local authority having jurisdiction.

**CHART 1 - SPECIFICATIONS FOR CATALOG SERIES 6534-110-N5 STROBE**

Agency Approvals	UL Listed to: Standard 1638 -Visual Signal Appliances (Indoor/Outdoor) Complies with ADA Code of Federal Regulation Chapter 28 Part 36 Final Rule	
Operating Voltage	120V AC	
Operating Current	90 mA (RMS)	
Flash Rate (per second)	1 fps	
Light Output (candela)	UL 1638	120 cd
Operating Environment -	Indoor	93% relative humidity @ 88°F (32°C), 32 to 120°F (0 to 49°C) variable ambient temperature
	Outdoor	95% relative humidity @ 90°F (32°C), -40 to 150°F (-40 to 66°C) variable ambient temperature
Peak current rating	≤ 350 mA	

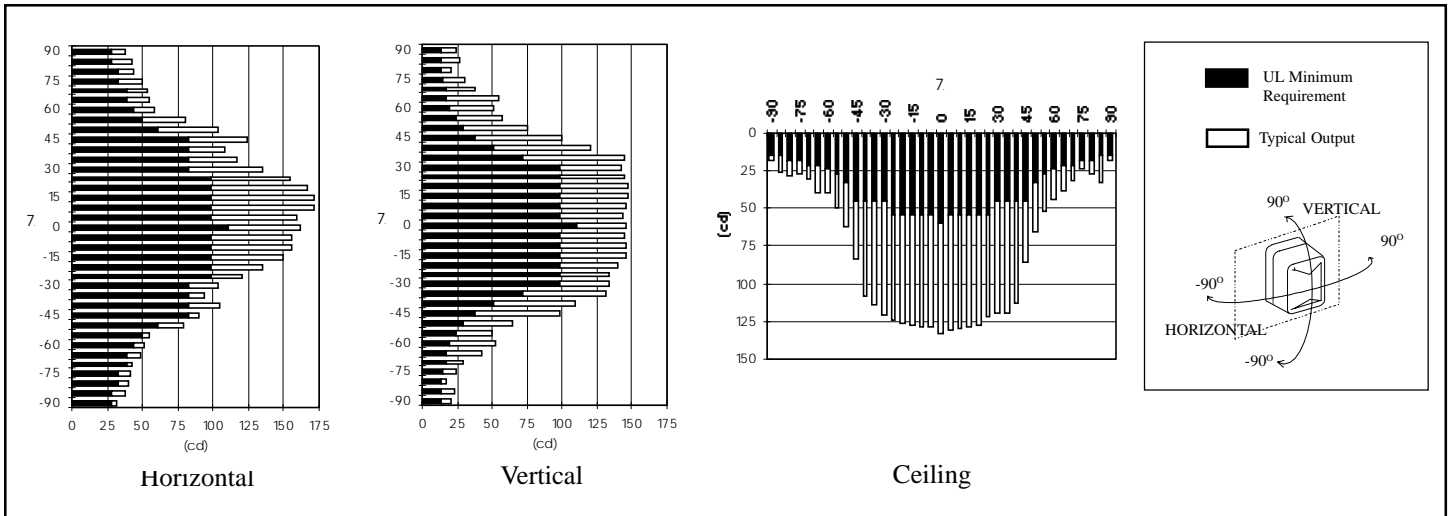


Figure 1. Typical Strobe Light Output Distribution Patterns

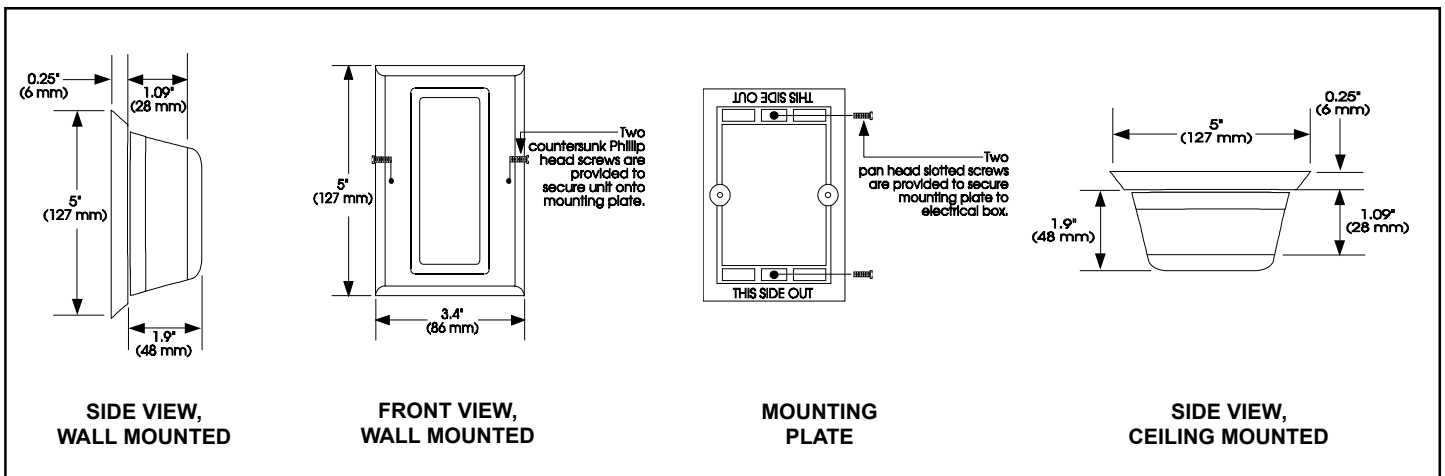
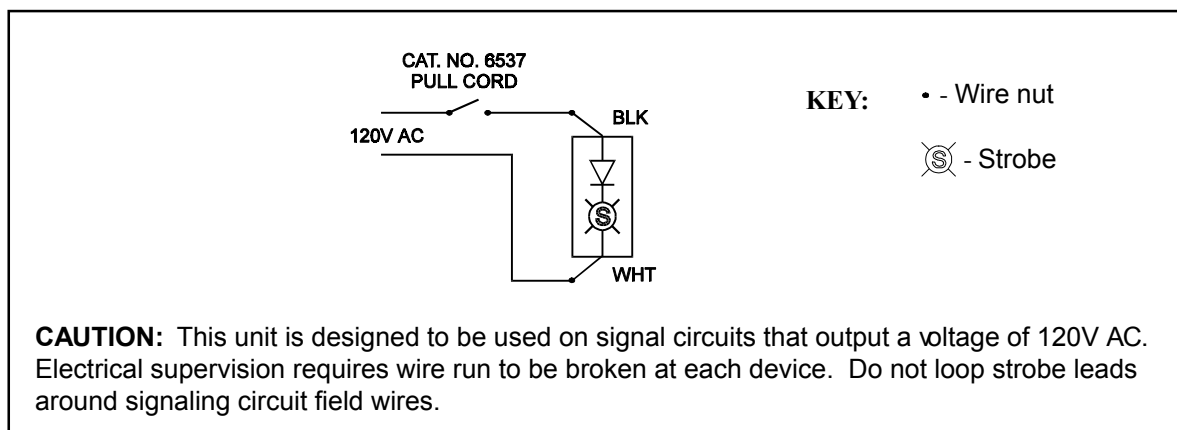


Figure 2. Detailed View



**CAUTION:** This unit is designed to be used on signal circuits that output a voltage of 120V AC. Electrical supervision requires wire run to be broken at each device. Do not loop strobe leads around signaling circuit field wires.

Figure 3. Connecting Strobe Unit